

Sistema Gran Fonda

Gabriel Ordeig Cole. 1990
Pendant lamps



Lampshades



Natural ribbon



Red-amber ribbon



Black ribbon



Tile Raw Color
ribbon



Mustard Raw Color
ribbon



Green Raw Color
ribbon



White linen



Like its predecessor Sistema Fonda, this large-scale version features a modular line of light with impressive ribbon or white linen lampshades. Each segment accommodates one or two light sources and incorporates a lower diffuser disc.

General description:

Satin nickel tubular structure for 1 or 2 lampshades.

Shade available in 7 finishes: White linen; natural, red-amber or black ribbon and terracotta, mustard or green Raw Color ribbon.

Each lampshade includes a translucent white diffuser disc.

S&C satin nickel metallic canopy. Suitable for side entry adaptor.

Maximum 1200W per line (6A). One connection per line.

Junction Box adaptor included Ø 11,7 cm / 4.6" (American version).

Electric cable length: 3 m / 118.1"

Approximate weight (unpacked):

Weight structure with 1 lampshade: 4 kg / 8.8 lb

Weight structure for 3 lampshades: 6,3 kg / 14 lb

Technical information:

Recommended light sources:

1 x / 2 x LED bulb: 11 W

E27 - E26 (Max. hgt. 125 mm / 4.9")

Light source not included.

Suitable only for indoor use.

Always use the light source recommended or equivalent.

Input voltaje: 100, 120, 230 Vac.

(50 Hz / 60 Hz). According to destination.

Regulations:

European version

UNE-EN 60598

UNE-EN 55015

UNE-EN 60529

American version

Dry location only

UL-1598

E-353545

Maintenance:

Clean with a smooth cloth. Do not use ammonia, solvents or abrasive cleaning products.

Sistema Gran Fonda

Gabriel Ordeig Cole. 1990

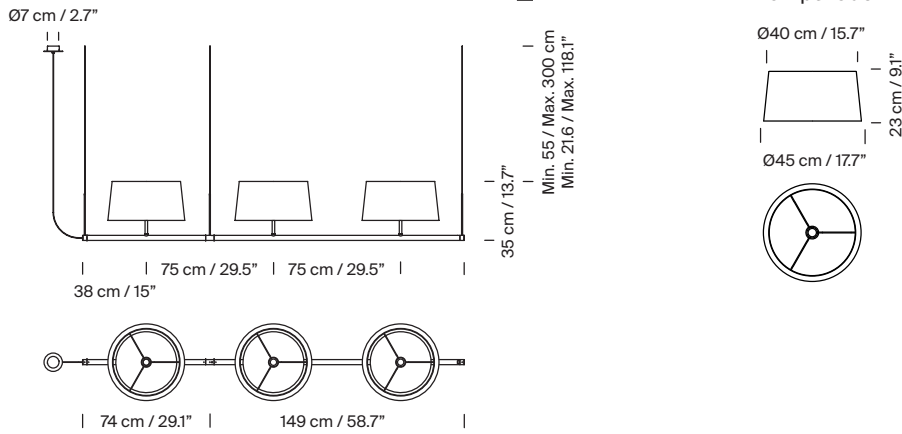
Pendant lamps

Others:

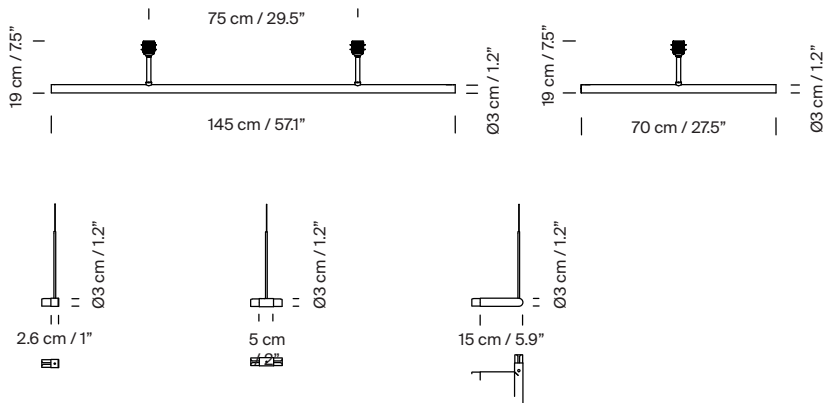
The lamp is delivered in one package.

The assembly instructions are delivered with the product.

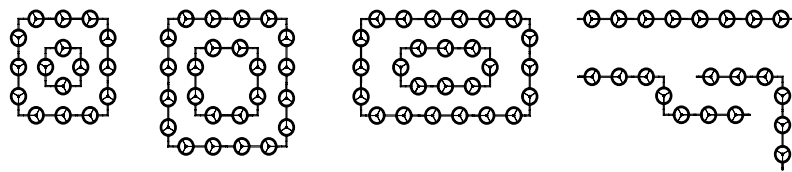
Model:



Structure:



Possible arrangements:



Collection:

Pendant lamps



Sistema fonda



Sistema gran fonda